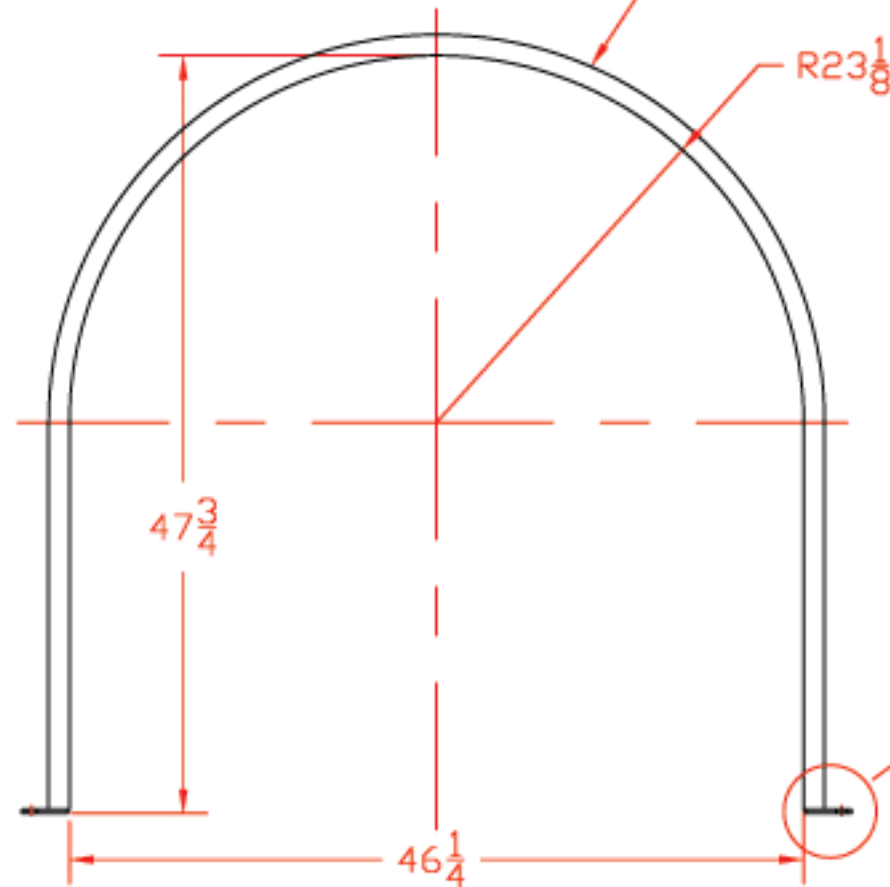
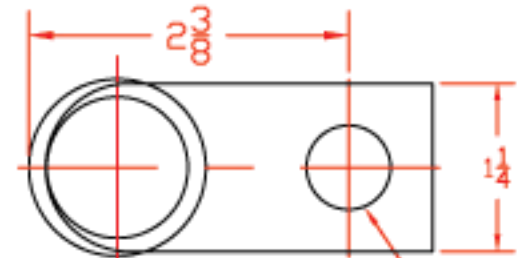


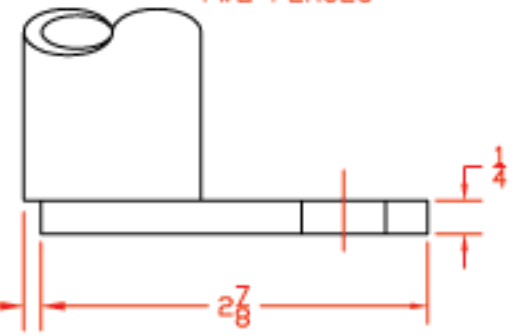
1" PIPE (1.31" OD) W/ .120" WALL



REVISIONS				
ZONE	REV	DESCRIPTION	DATE	APPROVED
	A	REDRAWN	10SEP97	
	B	REVISED & REDRAWN	14JAN04	



5/8 DIA
TWO PLACES



FULL SCALE DETAIL

NOTE: WELD WITH LOW HYDROGEN ROD
FINISH: HOT DIPPED GALVANIZED

THIS DRAWING MODIFIED WITH
NARROWER FOOT.



BAND 425 GAL. HORIZ.
TANKS

JTP 14JAN04

SIZE
A

FSCM NO.

DWG NO.

REV
B

SCALE 1/12

SHEET